



■ AC inlet Type

Insulation Class	Class I	Class I	Class II
AC inlet type	3 pole IEC320-C6	3 pole IEC320-C14	2 pole IEC320-C8
Shape No.	KRE65A-C6	/	KRE65B-C8

■ Features

- Universal AC input Full range
- Class I or Class II power unit
- No load power consumption < 0.1W
- Energy efficiency Level VI
- Comply with EISA 2007 / DoE and NRCan
- Protections: Short circuit / Overload / Over voltage
- Fully enclosed plastic case
- Wide range working temperature



■ Applications

- Consumer electronic devices
- Telecommunication devices
- Office facilities
- Industrial equipment



■ Description

KRE65A is a highly reliable, 65W desktop style single-output green adaptor series. This product is a class I power unit, equipped with standard AC IEC320 inlet, adopting the input range from 90VAC to 264VAC. The entire series supplies different models with output voltages ranging between 9VDC and 48VDC that can satisfy the demands for various types of consumer electronic devices.

■ Mechanical Characteristics

- see below Dimension Diagrams
- Weight: 256g

■ Characteristics



Input:

AC Input Voltage Rating

100 to 240VAC

AC Input Voltage Range

90 to 264VAC

AC Input Frequency

47 to 63Hz

Input Current

1.5A (RMS) maximum at 120VAC 0.25A (RMS) maximum at 240VAC

Leakage Current

0.25A maximum at 264VAC

Inrush Current (Cold Start at ambient 25° C)

30A for 120VAC and maximum load 60A for 240VAC at maximum load

Input Power Saving

0.1W maximum at no load

Output: Efficiency

Meet energy saving efficiency level VI.

Hold-up Time

10mS minimum at 120VAC and maximum load

Short-Circuit Protection

Auto restart

Environmental Temperature

Operation 0 to +40° C

Non-operation -40 to +85° C

Humidity 10-90% non-condensing

Emissions

Complies with FCC Class B Complies with EN55032 Class B

Immunity

AN/NZS CISPR22

EN55024 J55022(H22)

EN61000-4-2 Level EN61000-4-3 Level

EN61000-4-4 Level EN61000-4-5 Level

EN61000-4-6 Level EN61000-4-8 Level

EN61000-4-11 Level EN61000-3-2 Level

EN61000-3-3 Level

GB9254+GB1762

Dielectric Withstand (Hi-pot) Test Primary to Secondary:

3500V AC for 1 min., 10mA

Primary to F.G.: 1500V AC for 1 min., 10mA

Mating AC inlet

IEC320-C5

IEC320-C7

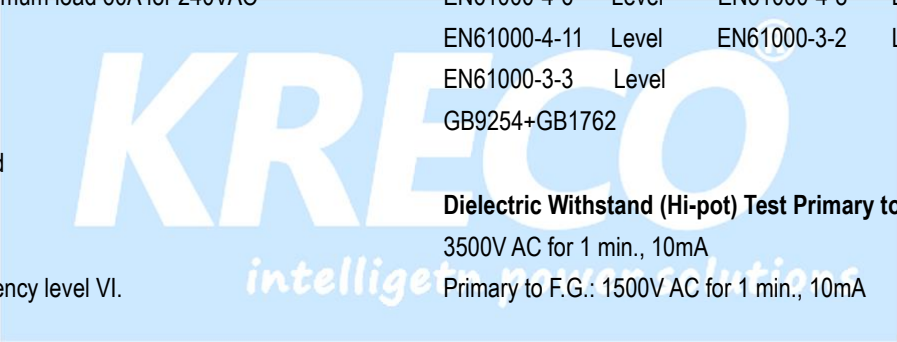
DC Output Connector

2.1 x 5.5mm Center Positive+ Standard or equivalent,

Or see *KRE-connectors-Spec.pdf*

Output Cable

1.5 meter (4.92 feet), UL2468, from 24-18AWG guage or equivalent



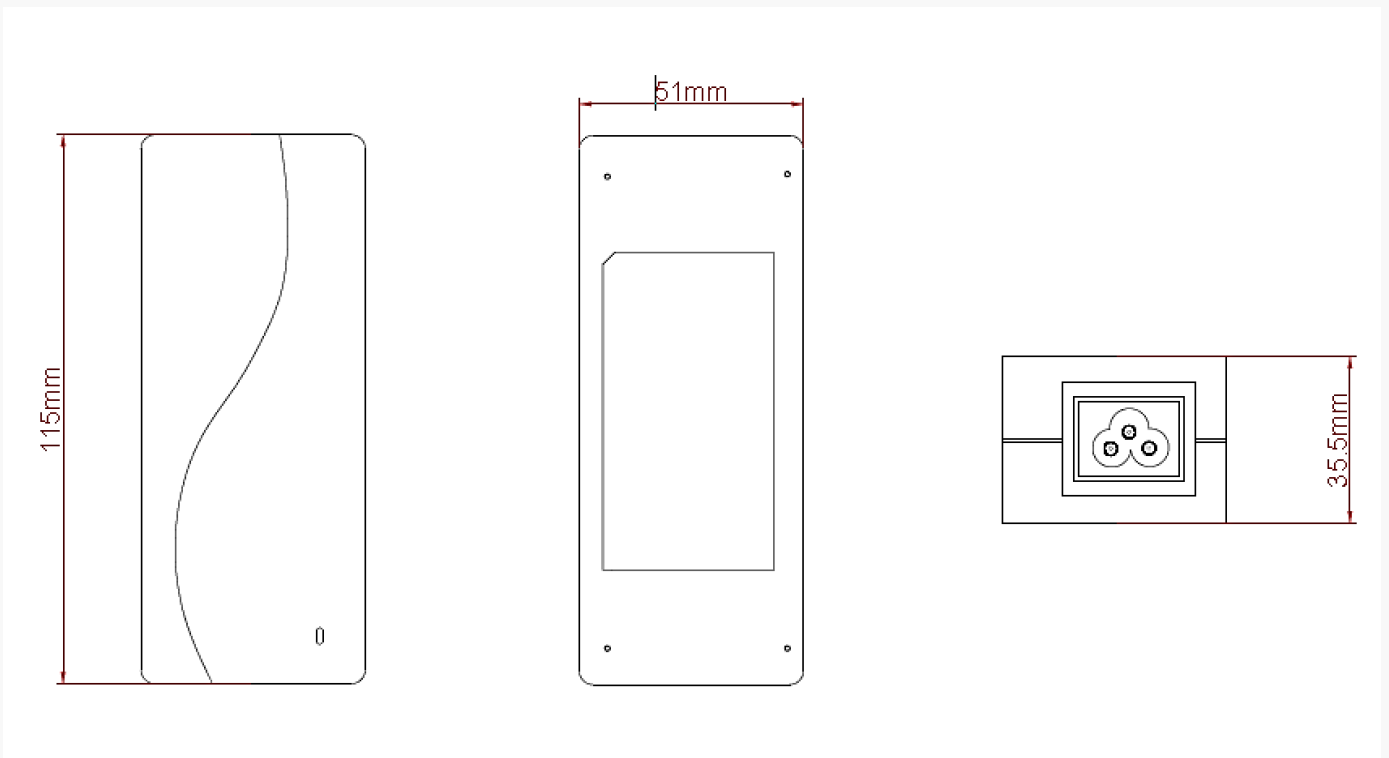


■ Output Specifications

KRECO P/N (see note)	DC Output Voltage	Load		Output Power	Safety Approvals	Energy Saving Level	Standards
		Min	Max				
KRE001SPS-xxxxyyzf or KRE-xxxxyyZ or LY001SPS-xxxxyyzf	9- 19.9V	0.01A	5.5A	65W max.	CCC/CQC,UL/CUL/FCC,CE/GS/EMC,RCM, TUV/BS,EK,PSE	V&VI	UL/EN/IEC6 0335/62368
	20- 35.9V	0.01A	3.25A	65W max.	CCC/CQC,UL/CUL/FCC,CE/GS/EMC,RCM, TUV/BS,EK,PSE	V&VI	UL/EN/IEC6 0335/62368
	36- 48V	0.01A	1.5A	65W max.	CCC/CQC,UL/CUL/FCC,CE/GS/EMC,RCM, TUV/BS,EK,PSE	V&VI	UL/EN/IEC6 0335/62368
	12- 24V	0.01A	5A	65W max.	UL/CUL/FCC	V&VI	UL1310/UL6 2368

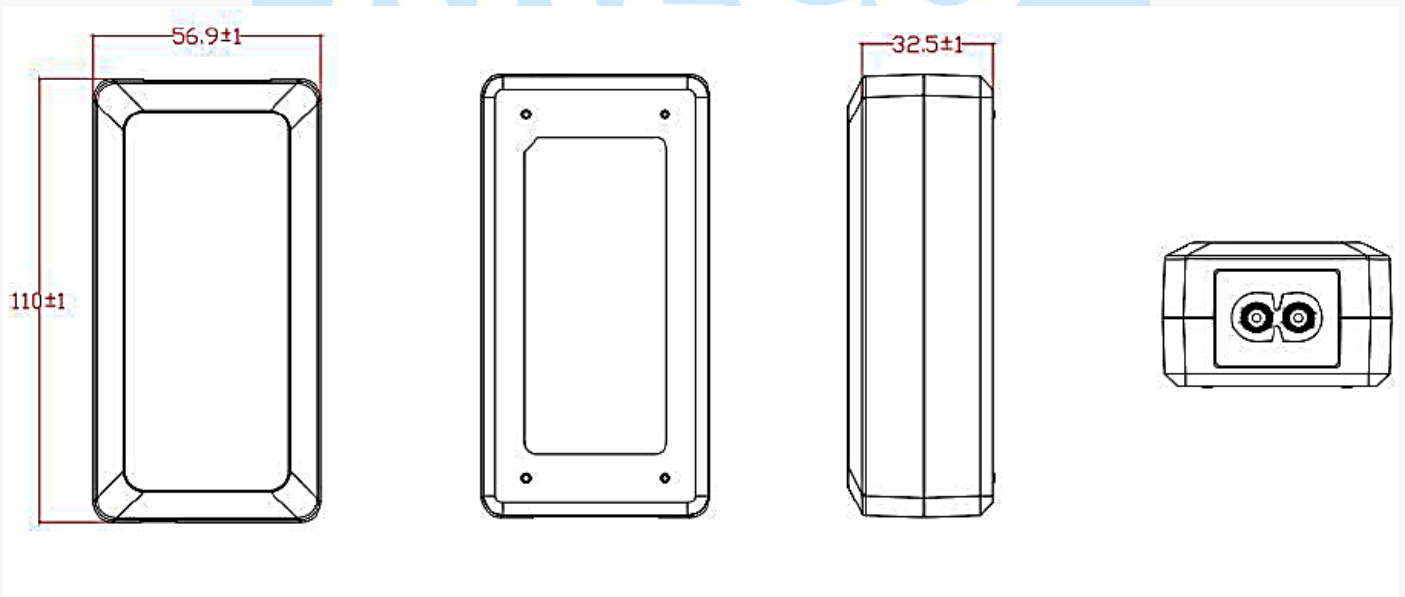
■ Dimension Diagram for KRE65A-C6

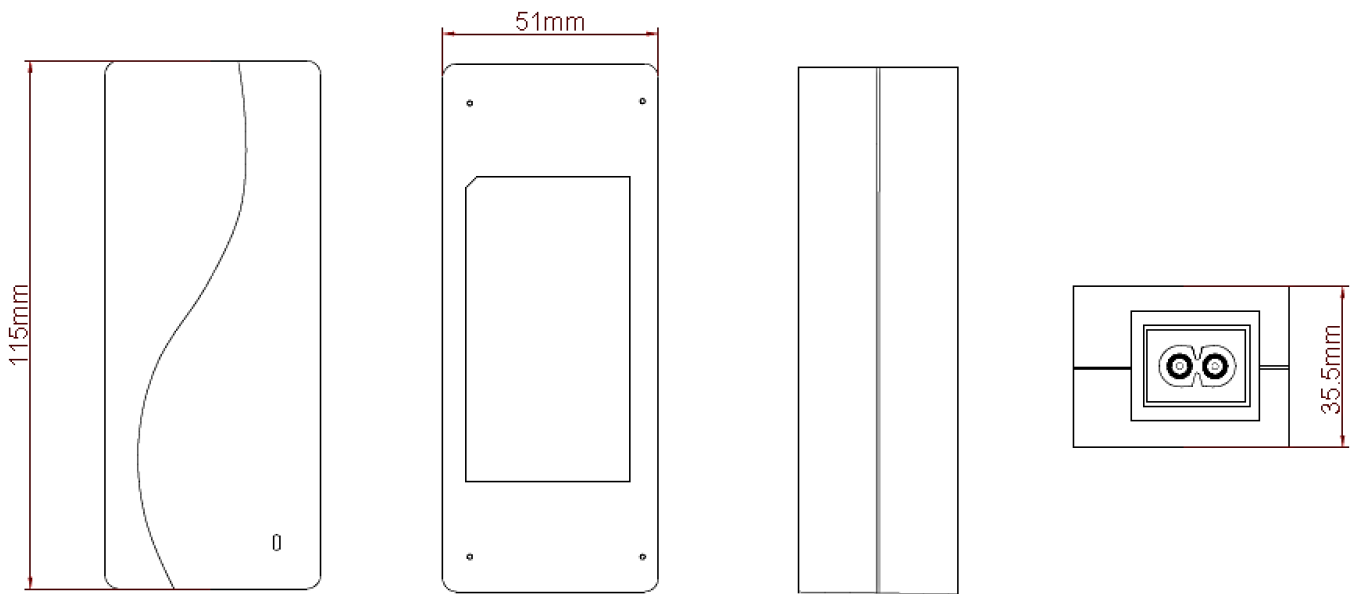
Unit: mm



■ Dimension Diagram for KRE65A-C8

Unit: mm





- (1) AC inlet connection type, 2 or 3 pole version.
- (2) xxx for Output voltage and yyy/yyyy for output current, what you are going to order, please must specify to sales.
- (3) Safety approvals according to the AC plug type, which is different from each other.
- (4) Safety model number differs from the order number, part number, and shape number as per respective OEM/ODM factories.

Kreco is not responsible for any error, and reserves the right to make changes without notice. Please visit our website at www.kreco.com.cn for the most up-to-date specifications and contact information.

KRECO
intelligent power solutions