



■ AC Plug Type

AC plug type	2 pin Euro	2 pin USA	2 Pin China	3 pin UK	2 pin AU	2 pin JP	2 pin KR	2 pin AR	3 pin South Africa	Interchangeable
Shape No.	KRE06SE	KRE06SU	KRE06SC	KRE06SB	KRE06SS	KRE06SJ	KRE06SK	KRE06SR	KRE06SZ	KRE06SI

■ Features

- Universal AC input Full range
- 2 pole US, EU, AU/NZ, EK, JP, AR,CN and 3 pole UK plug, Class II power unit
- No load power consumption < 0.1W
- Energy efficiency Level VI
- Comply with EISA 2007 / DoE and NRCan
- Protections: Short circuit / Overload /Over voltage
- Fully enclosed plastic case
- Wide range working temperature



■ Applications

- Consumer electronic devices
- Telecommunication devices
- Office facilities
- Industrial equipment



■ Description

KRE06Sx is a highly reliable, 6W slim wall-mounted style single-output green adaptor series. This product is a class II power unit (no FG), equipped with standard AC power plug, adopting the input range from 90VAC to 264VAC. The entire series supplies different models with output voltages ranging between 3VDC and 24VDC that can satisfy the demands for various types of consumer electronic devices.

■ Mechanical Characteristics

- see below Dimension Diagrams
- Weight: 75g (2.65oz)

**■ Characteristics****Input:****AC Input Voltage Rating**

100 to 240VAC

**AC Input Voltage Range**

90 to 264VAC

**AC Input Frequency**

47 to 63Hz

**Input Current**

0.5A (RMS) maximum at 120VAC 0.25A (RMS) maximum at 240VAC

**Leakage Current**

0.25A maximum at 264VAC

**Inrush Current (Cold Start at ambient 25° C)**

30A for 120VAC and maximum load 60A for 240VAC at maximum load

**Input Power Saving**

0.1W maximum at no load

**Output: Efficiency**

Meet energy saving efficiency level VI.

**Hold-up Time**

10mS minimum at 120VAC and maximum load

**Short-Circuit Protection**

Auto restart

**Environmental Temperature**

Operation 0 to +40° C

Non-operation -40 to +85° C

Humidity 10-90% non-condensing

**Emissions**

Complies with FCC Class B Complies with EN55032 Class B

**Immunity**

AN/NZS CISPR22

EN55024 J55022(H22)

EN61000-4-2 Level EN61000-4-3 Level

EN61000-4-4 Level EN61000-4-5 Level

EN61000-4-6 Level EN61000-4-8 Level

EN61000-4-11 Level EN61000-3-2 Level

EN61000-3-3 Level

GB9254+GB1762

**Dielectric Withstand (Hi-pot) Test Primary to Secondary:**

3500V AC for 1 min., 10mA

Primary to F.G.: 1500V AC for 1 min., 10mA

**DC Output Connector**

2.1 x 5.5mm Center Positive+ Standard or equivalent,

Or see *KRE-connectors-Spec.pdf***Output Cable**

1.5 meter (4.92 feet), UL2468, from 24-18AWG guage or equivalent

**Mating Connector**

Equivalent

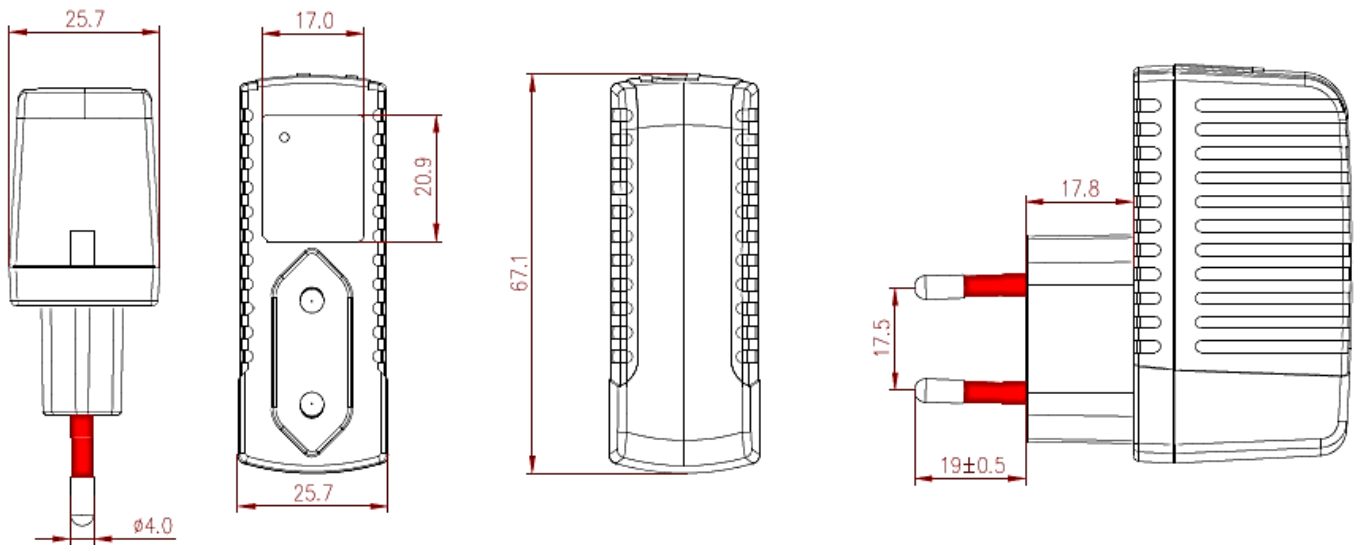
■ Output Specifications

KRECO P/N (see note)	DC Output Voltage	Load		Output Power	Safety Approvals	Energy Saving Level	Standards
		Min	Max				
KRE06SPS-xxxxyyzf or KRE-xxxxyyZ Or LY006SPS-xxxxyyzf	3- 7.6V	0.01A	1.5A	7.5W max	UL/CUL/FCC,CE/GS/EMC,TUV/ BS,RCM,CCC/CQC,EK,PSE	V&VI	EN/IEC/UL60950
	9- 15V	0.01A	0.8A	7.2W max	UL/CUL/FCC,CE/GS/EMC,TUV/ BS,RCM,CCC/CQC,EK,PSE	V&VI	EN/IEC/UL60950
	18- 24V	0.01A	0.4A	7.2W max	CCC/CQC,UL/CUL/FCC,CE/GS/ EMC,RCM,TUV/BS	V&VI	EN/IEC/UL60950
	3- 7.6V	0.01A	1.5A	7.5W max	TUV/BS CE/GS/EMC RCM	V&VI	EN/IEC61558/60335
	9- 15V	0.01A	0.8A	7.5W max	TUV/BS CE/GS/EMC RCM	V&VI	EN/IEC61558/60335
	18- 24V	0.01A	0.4A	7.5W max	TUV/BS CE/GS/EMC RCM	V&VI	EN/IEC61558/60335
	3- 7.6V	0.01A	1.5A	7.5W max	UL/CUL/FCC	V&VI	UL1310
	9- 15V	0.01A	0.8A	7.5W max	UL/CUL/FCC	V&VI	UL1310
	18- 24V	0.01A	0.4A	7.5W max	UL/CUL/FCC	V&VI	UL1310



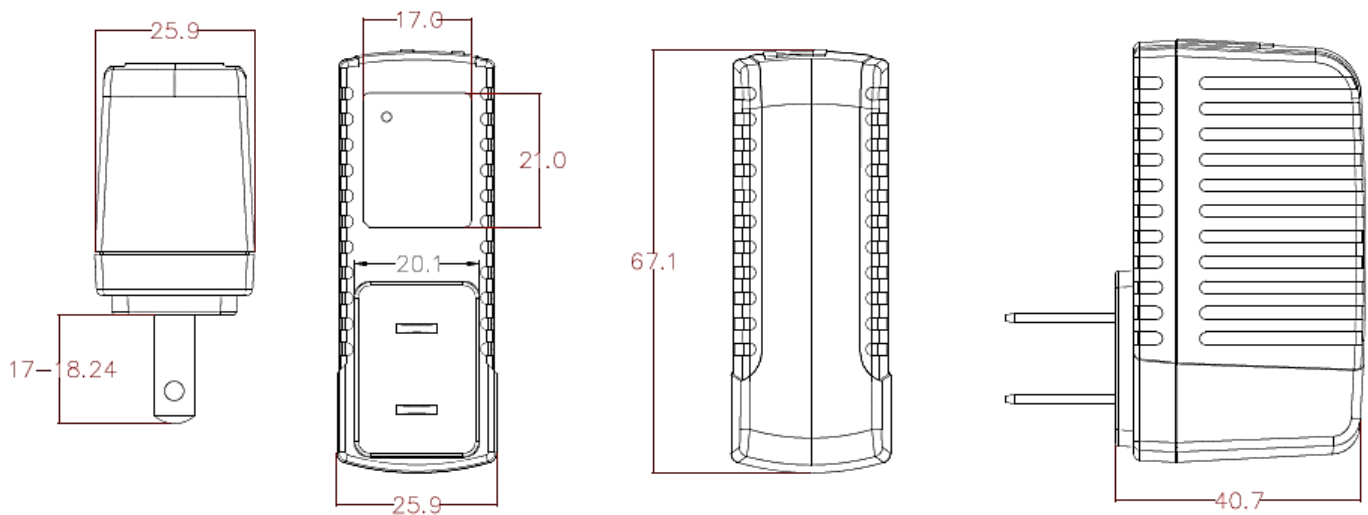
■ Dimension Diagram for KRE06SE

Unit: mm



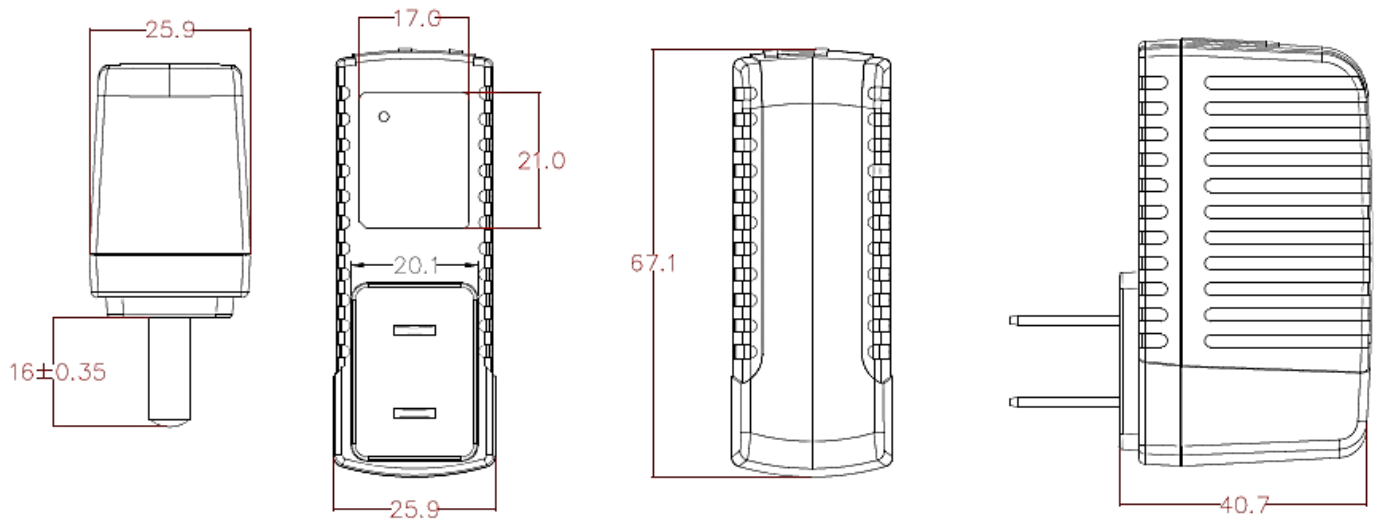
■ Dimension Diagram for KRE06SU and KRE06SJ

Unit: mm



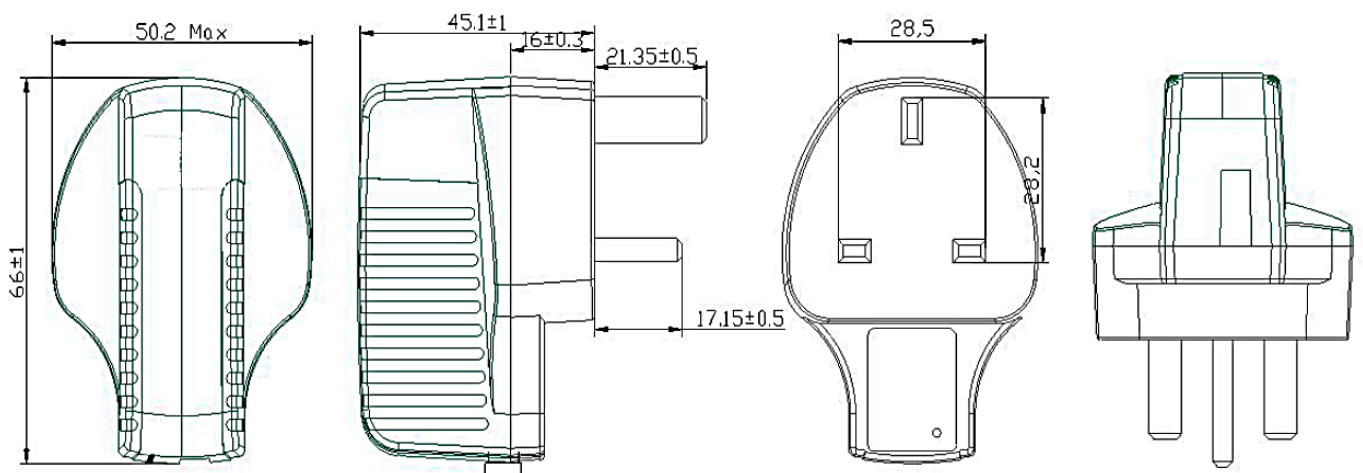
■ Dimension Diagram for KRE06SC

Unit: mm



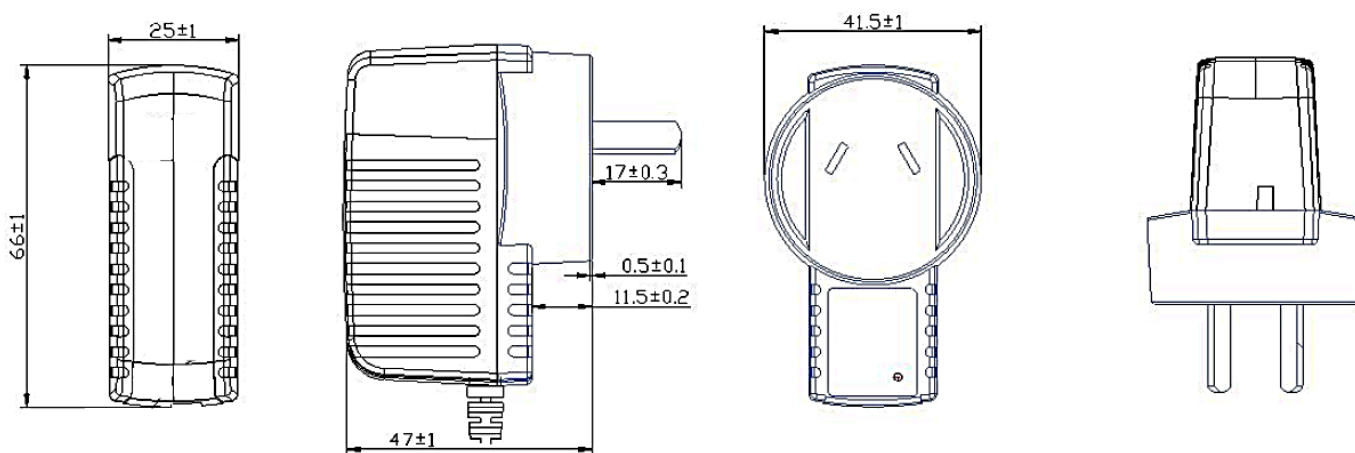
■ Dimension Diagram for KRE06SB

Unit: mm



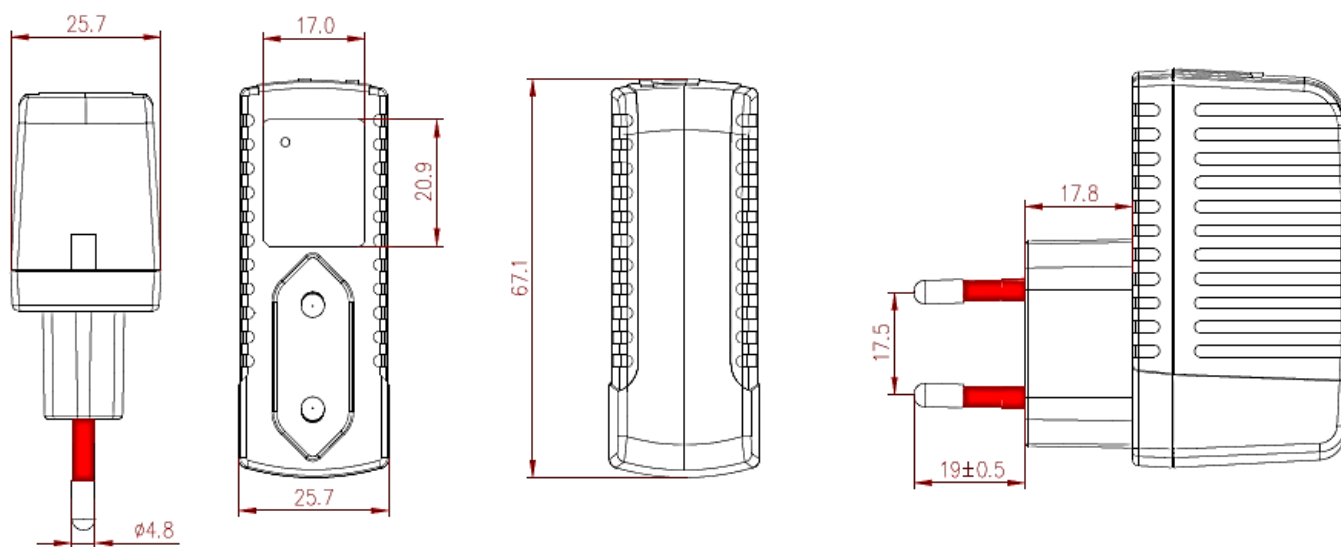
■ Dimension Diagram for KRE06SS

Unit: mm



■ Dimension Diagram for KRE06SK

Unit: mm



- (1) X = E for EU version, U for US version, C for Chinese version, B for UK version, S for Australian version, J for Japanese version, K for South Korea version, R for Argentina version, Z for South Africa (3 Big pins) version, I for Interchangeable version,
- (2) xxx for Output voltage and yyy for output current, what you are going to order, please must specify to sales.
- (3) Safety approvals according to the AC plug type, which is different from each other.
- (4) Safety model number differs from the order number, part number, and shape number as per respective OEM/ODM factories.

Kreco is not responsible for any error, and reserves the right to make changes without notice. Please visit our website at [www.kreco.com.cn](http://www.kreco.com.cn) for the most up-to-date specifications and contact information.