



■ AC inlet Type

AC plug type	2 pin Euro	2 pin USA	2 Pin Cina	3 pin UK	2 pin AU	2 pin JP
Shape No.	A30E	A30U	A30C	A30B	A30S	A30J

■ Features

- Universal AC input Full range
- Class II power unit
- No load power consumption < 0.1W
- Energy efficiency Level VI
- Comply with EISA 2007 / DoE and NRCan
- Protections: Short circuit / Overload / Over voltage
- Fully enclosed plastic case
- Wide range working temperature

■ Applications

- Consumer electronic devices
- Telecommunication devices
- Office facilities
- Industrial equipment



■ Description

A30x is a highly reliable, 30W wall-mounted style single-output green adaptor series. This product is a class II power unit (no FG), adopting the input range from 90VAC to 264VAC. The entire series supplies different models with output voltages ranging between 5VDC and 56VDC that can satisfy the demands for various types of consumer electronic devices.

■ Mechanical Characteristics

- see below Dimension Diagrams
- 53*53*30mm

■ Characteristics

Input:

AC Input Voltage Rating

100 to 240VAC

AC Input Voltage Range

90 to 264VAC

AC Input Frequency

47 to 63Hz

Leakage Current

0.25A maximum at 264VAC

Input Power Saving

0.1W maximum at no load

Output: Efficiency

Meet energy saving efficiency level VI.

Hold-up Time

10mS minimum at 120VAC and maximum load

Dielectric Withstand (Hi-pot) Test Primary to Secondary:

3500V AC for 1 min., 10mA

Primary to F.G.: 1500V AC for 1 min., 10mA

Short-Circuit Protection

Auto restart

Environmental Temperature

Operation 0 to +40° C

Non-operation -40 to +85° C

Humidity 10-90% non-condensing

Emissions

Complies with FCC Class B Complies with EN55032 Class B

Immunity

AN/NZS CISPR22

EN55024 J55022(H22)

EN61000-4-2 Level EN61000-4-3 Level

EN61000-4-4 Level EN61000-4-5 Level

EN61000-4-6 Level EN61000-4-8 Level

EN61000-4-11 Level EN61000-3-2 Level

EN61000-3-3 Level

GB9254+GB1762

Output Cable

1.2 meter (4.92 feet), UL2468, from 24-18AWG guage or equivalent

Output Connector

2.1 x 5.5mm Center Positive+ (Standard) or equivalent,

Or

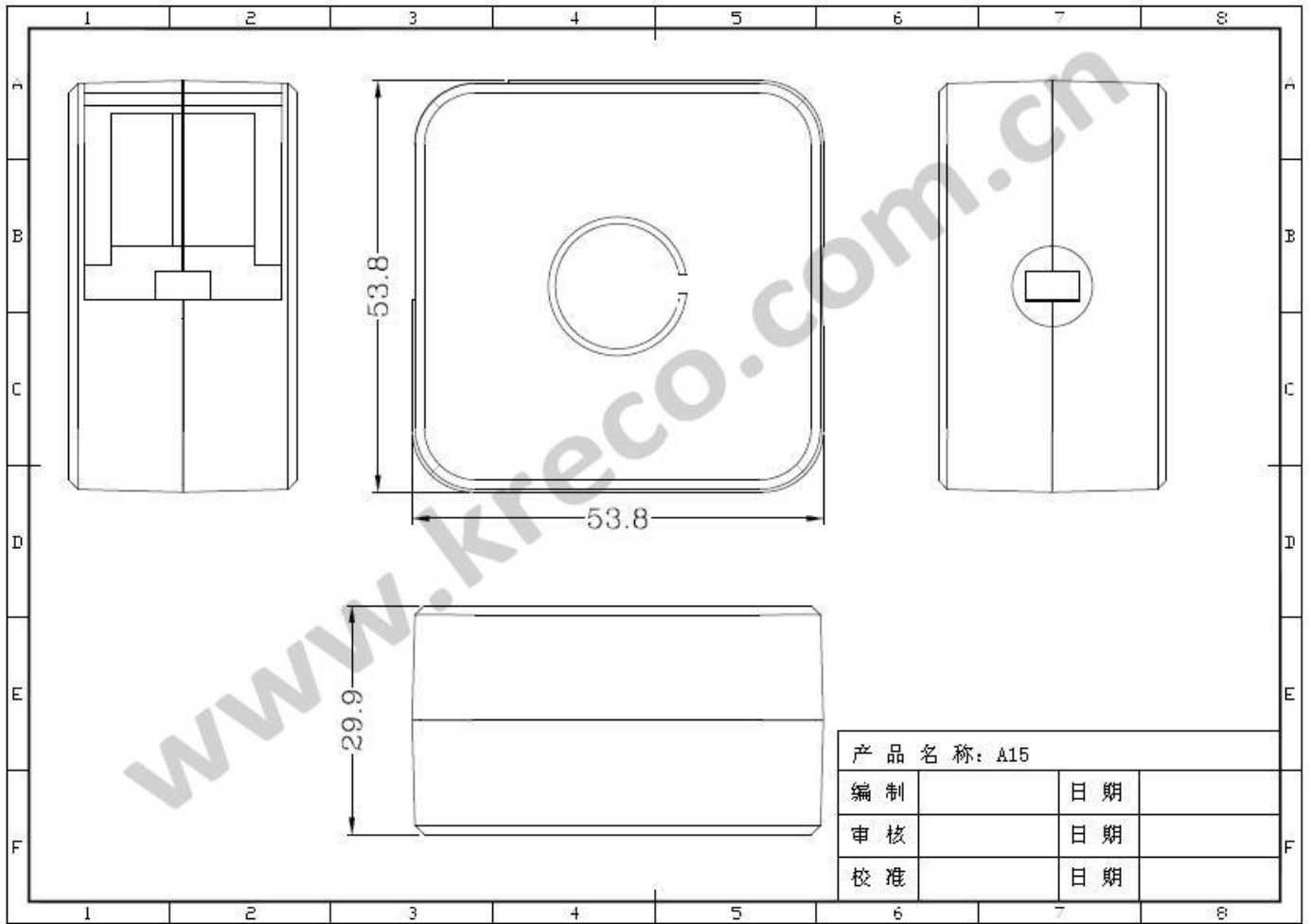
see [KRE-connectors-Spec.pdf](#)

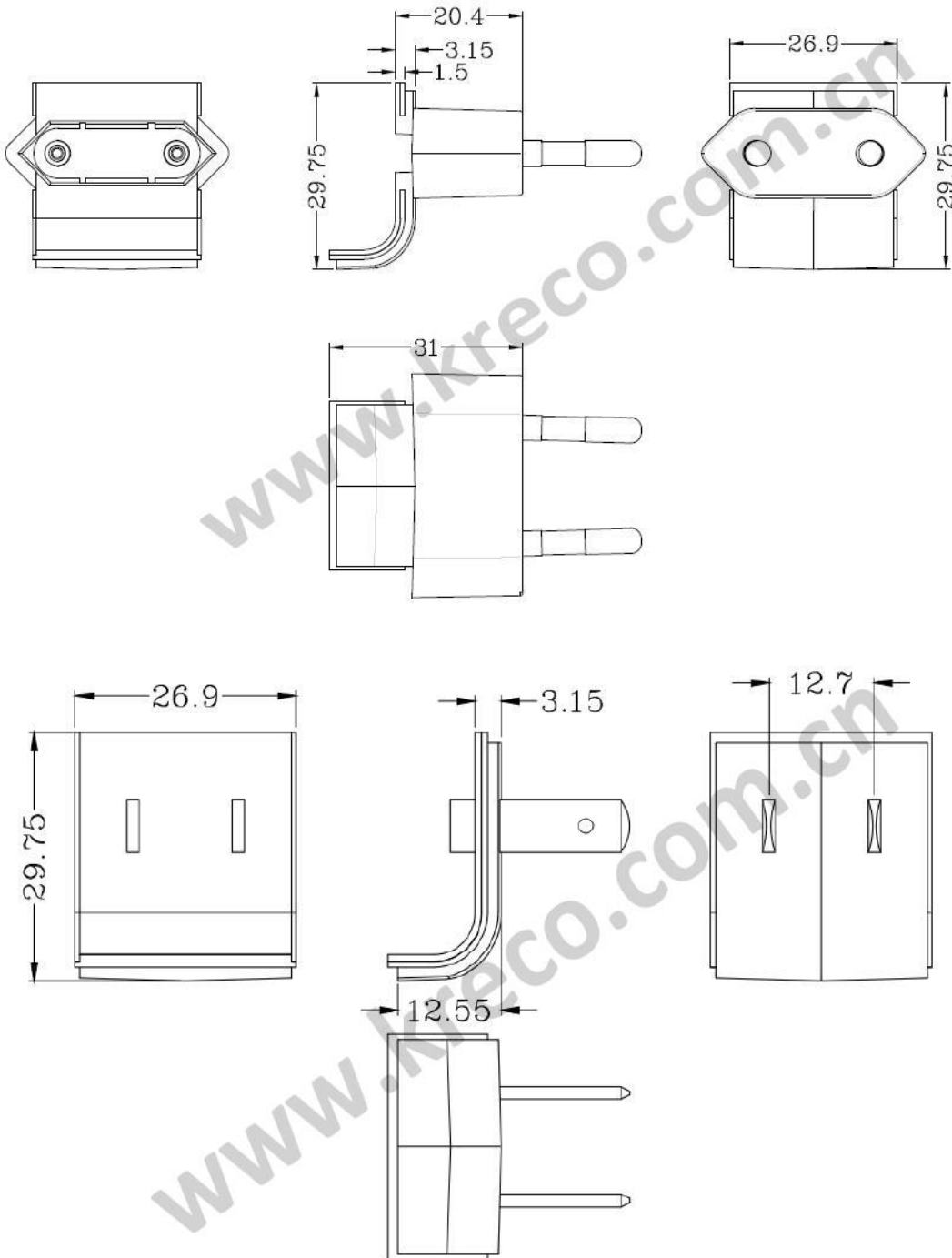
■ Output Specifications

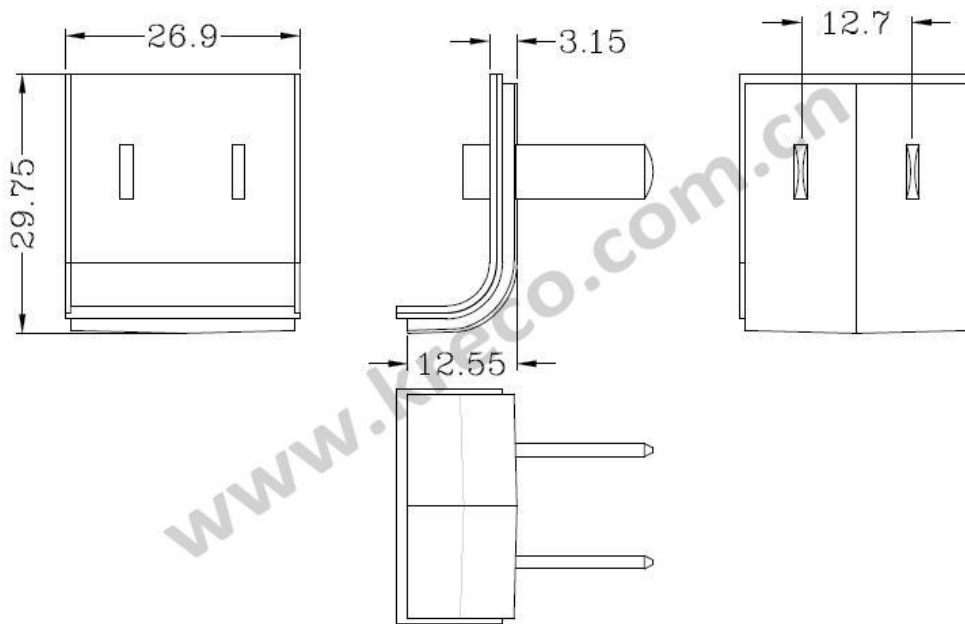
KRECO P/N (see note)	DC Output Voltage	Load		Output Power	Safety Approvals	Energy Saving Level	Standards
		Min	Max				
KRE-xxxxyyZ or equivalent	5 - 56V	0.1A	3.5A	30W max.	CCC/CQC,UL/CUL/FCC,CE/GS/EMC ,RCM,TUV/BS,EK,PSE	V&VI	EN/IEC/UL62368 GB4943/4706

■ Dimension Diagram for A30x

Unit: mm







- (1) AC interchangeable connection type, 2 pole version.
- (2) xxx for Output voltage and yyy for output current, what you are going to order, please must specify to sales.
- (3) Safety approvals according to the AC inlet type, which is different from each other.
- (4) Safety model number differs from the order number, part number, and shape number as per respective OEM/ODM factories.

Kreco is not responsible for any error, and reserves the right to make changes without notice. Please visit our website at www.kreco.com.cn for the most up-to-date specifications and contact information.